

PUSH KNOB LATCH



PKL-08



Features

- When the knob is pushed in, the product becomes flush with its surroundings for a safe and smart design.
- Pushing the knob in while the door is closed will lock it. Pushing the knob again will unlock it.
- Available for both overlay and inset doors.

Parts Included

- Truss head screw M3x25 (SUS)
- Round head wood screw 3.1x10, 3.1x28 (SUS)

Option

Spacer (below)

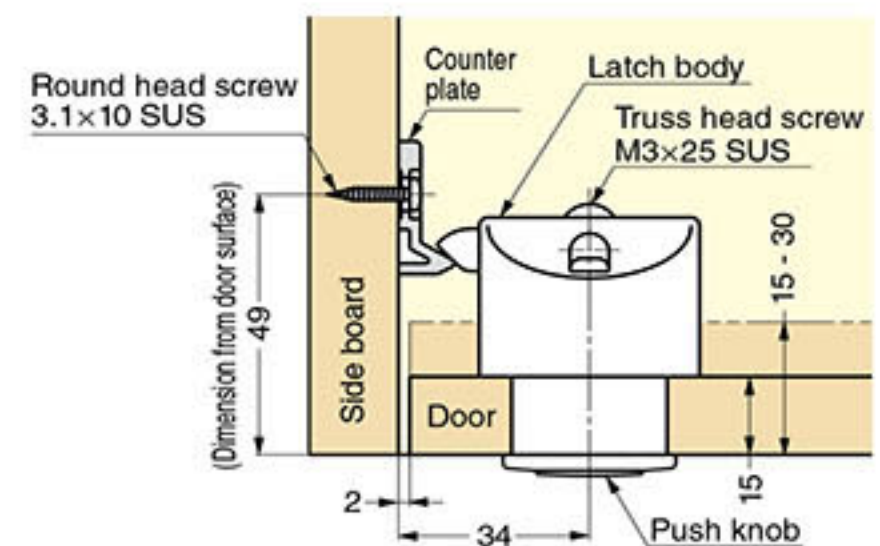
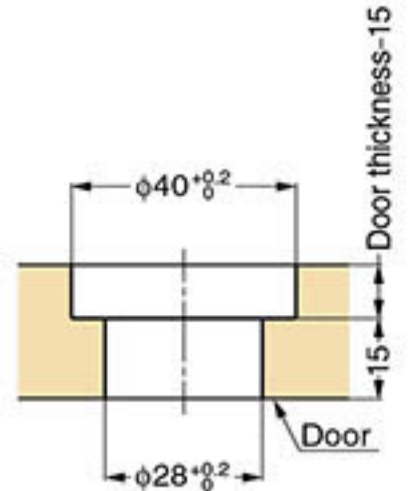
Latch Body and Counter Plate



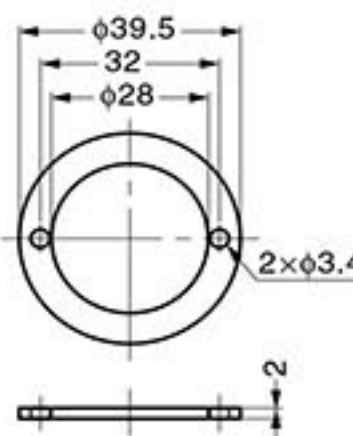
Application Example



Cut Out Dimensions



Spacer (option)



Part Name	Material
Push Knob	Zinc Alloy (ZDC)
Latch Body-Counter Plate	ABS
Spacer (Option)	ABS

Push Knob

Item Code	Item Name	Finish	Weight	Box	Carton
140-019-792	PKL-08/GA	Gold	63 g	20 pcs	200 pcs
140-019-794	PKL-08/CR	Chrome	63 g	20 pcs	200 pcs
140-019-793	PKL-08/BN	Black Nickel	63 g	20 pcs	200 pcs

Latch Body-Counter Plate

Item Code	Item Name	Colour	Retaining Force N	Retaining Force kgf	Weight	Box	Carton
140-012-822	PKLW	White	98 N	10 kgf	30 g	20 pcs	200 pcs
140-012-820	PKLSW	Snow White	98 N	10 kgf	30 g	20 pcs	200 pcs
140-012-821	PKLB	Black	98 N	10 kgf	30 g	20 pcs	200 pcs

Spacer (Option)

Item Code	Item Name	Colour	Weight	Carton
140-019-255	PKL-Spacer/WHT	White	2 g	2,000 pcs
140-019-256	PKL-Spacer/BLK	Black	2 g	2,000 pcs